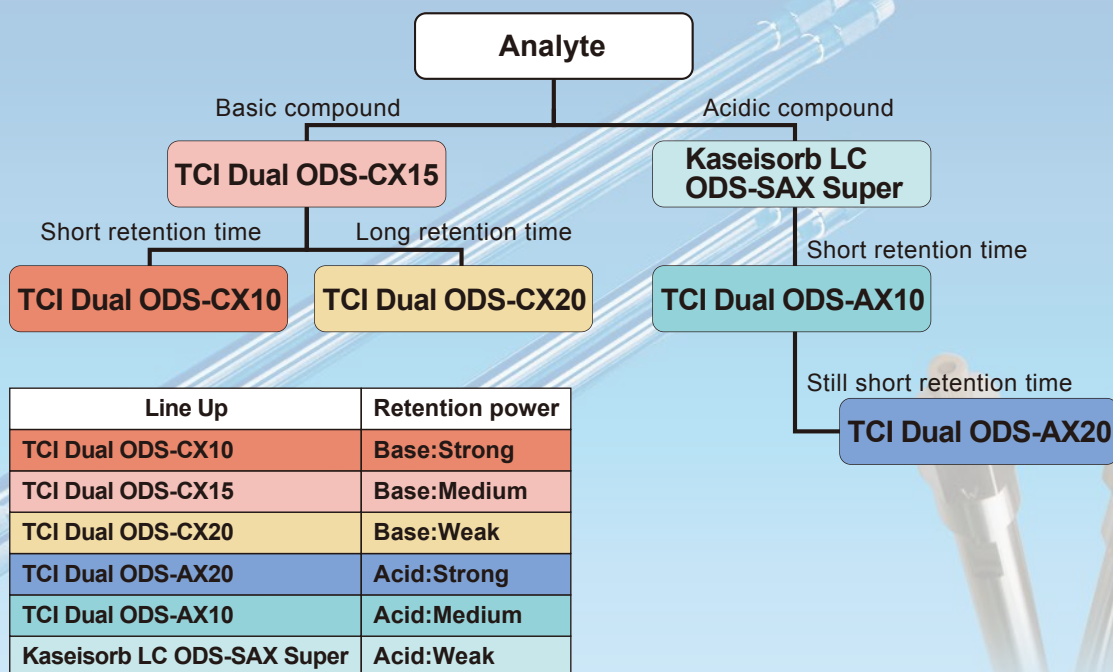
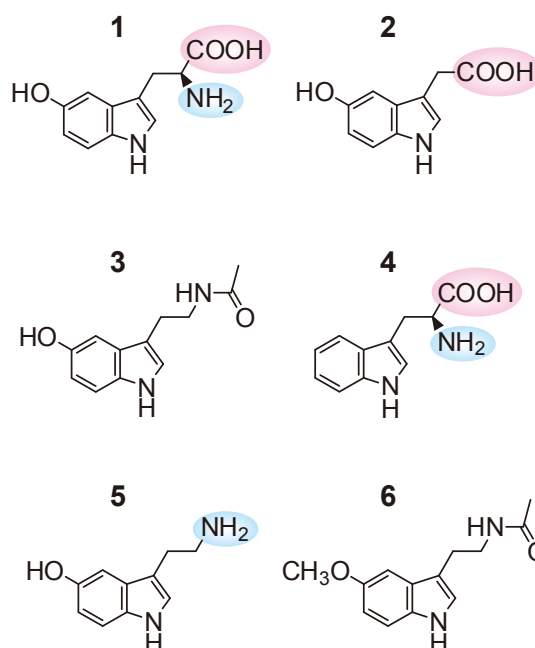
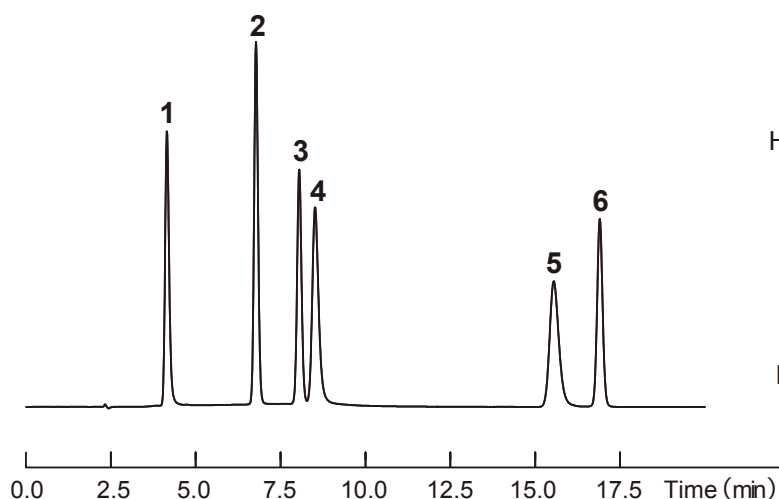


## ODS + Ion-Exchange Mixed-Mode HPLC Columns



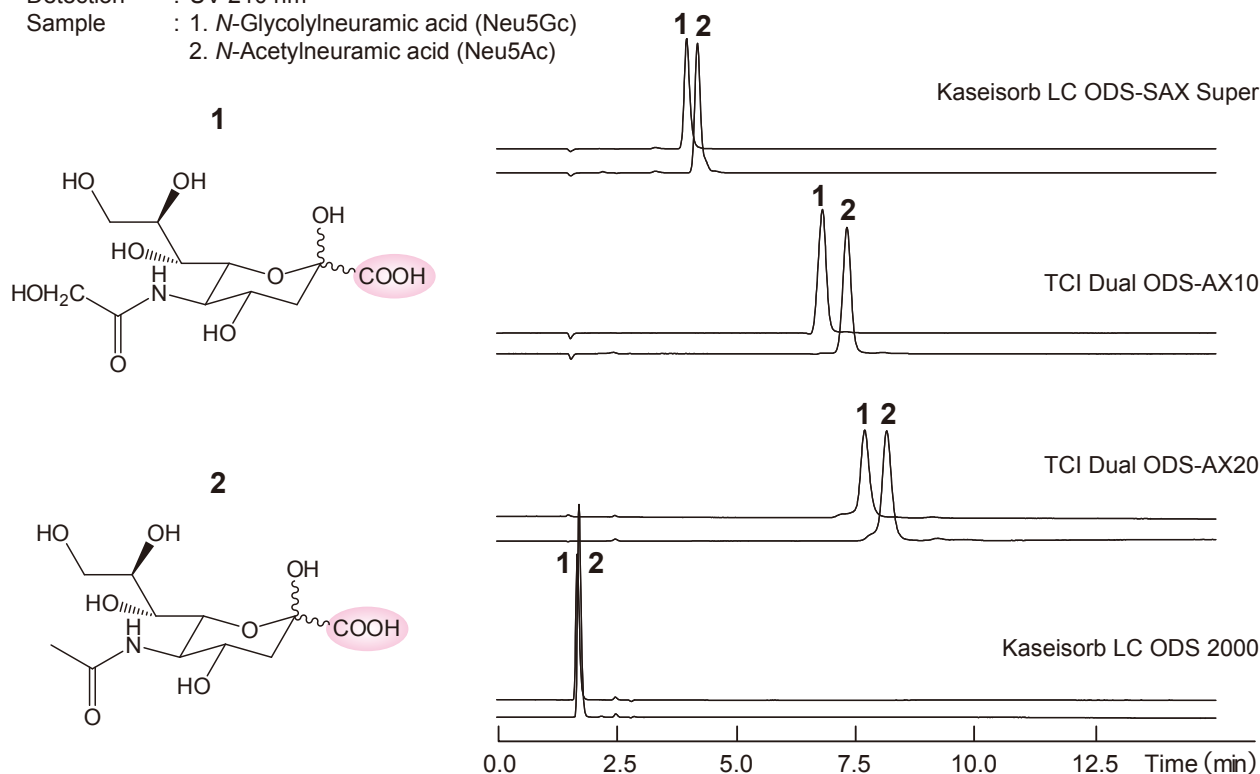
### Serotonin Metabolites

Column : TCI Dual ODS-CX15 4.6 mmI.D. × 150 mm  
 Mobile Phase : A) CH<sub>3</sub>CN / 50 mmol/L HCOONH<sub>4</sub> (pH3.5, HCOOH) = 10 / 90  
 B) CH<sub>3</sub>CN / 50 mmol/L HCOONH<sub>4</sub> (pH3.5, HCOOH) = 70 / 30  
 0-50%B (0-30min.)  
 Flow Rate : 1.0 mL/min  
 Temperature : 25 °C  
 Detection : UV 254 nm  
 Sample : 1. 5-Hydroxy-L-tryptophan  
 2. 5-Hydroxy-3-acetic Acid (5-HIAA)  
 3. Acetylserotonin  
 4. L-Tryptophan  
 5. Serotonin  
 6. Melatonin



# Sialic Acids

Column size : 4.6 mmI.D. × 150 mm  
 Mobile Phase : CH<sub>3</sub>CN / 10mmol/L CH<sub>3</sub>COONH<sub>4</sub> (pH5.0, CH<sub>3</sub>COOH) = 5 / 95  
 Flow Rate : 1.0 mL/min  
 Temperature : 30 °C  
 Detection : UV 210 nm  
 Sample : 1. N-Glycolylneuramic acid (Neu5Gc)  
 2. N-Acetylneuramic acid (Neu5Ac)



Type	ODS+Cation -Exchange for <b>Basic compounds</b>					ODS+Anion -Exchange for <b>Acidic compounds</b>			
	TCI Dual ODS-CX10		TCI Dual ODS-CX15		TCI Dual ODS-CX20	TCI Dual ODS-AX20	TCI Dual ODS-AX10	Kaseisorb LC ODS-SAX Super	
Retention Power	Strong		Medium		Weak	Strong	Medium	Weak	
Particle size (μm)	3	5	3	5	5	5	5	3	5
2.0 mmI.D. x 50 mm	S3786	S3705	S3777	S3765	S3715	S3735	S3725	S1841	S1821
2.0 mmI.D. x 100 mm	S3787	S3707	S3778	S3767	S3717	S3737	S3727	S1842	S1832
2.0 mmI.D. x 150 mm	S3788	S3702	S3779	S3762	S3712	S3732	S3722	S1843	S1298
2.0 mmI.D. x 250 mm	-	S3703	-	S3763	S3713	S3733	S3723	-	S1299
4.6 mmI.D. x 50 mm	S3789	S3704	S3780	S3764	S3714	S3734	S3724	S1844	S1833
4.6 mmI.D. x 100 mm	S3790	S3709	S3781	S3769	S3719	S3739	S3729	S1845	S1834
4.6 mmI.D. x 150 mm	S3791	S3700	S3782	S3760	S3710	S3730	S3720	S1846	S1292
4.6 mmI.D. x 250 mm	S3792	S3701	S3783	S3761	S3711	S3731	S3721	S1847	S1293
10.0 mmI.D. x 150 mm	-	S3706	-	S3766	S3716	S3736	S3726	-	S1835
10.0 mmI.D. x 250 mm	-	S3708	-	S3768	S3718	S3738	S3728	-	S1836
Cartridge type Guard column [The cartridge need to be mounted in a holder (S1450)]									
3.0 mmI.D. x 15 mm	S3770		S3771		S3772	S3775	S3774	S3773	

## Ordering and Customer Service

### TCI AMERICA

Tel : 800-423-8616 • 503-283-1681  
 Fax : 888-520-1075 • 503-283-1987  
 E-mail : Sales-US@TCIchemicals.com

### East Coast Office

Tel : 781-239-7515  
 Fax : 781-239-7514

### TCI EUROPE N.V.

Tel : +32 (0)3 735 07 00  
 Fax : +32 (0)3 735 07 01  
 E-mail : Sales-EU@TCIchemicals.com

### TCI Deutschland GmbH

Tel : +49 (0)6196 64053-00  
 Fax : +49 (0)6196 64053-01  
 E-mail : Sales-DE@TCIchemicals.com

### Tokyo Chemical Industry UK Ltd.

Tel : +44 (0)1865 784560  
 Fax : +44 (0)1865 784561  
 E-mail : Sales-UK@TCIchemicals.com

### TCI Chemicals (India) Pvt. Ltd.

Tel : +91 (0)44-2262 0909  
 Fax : +91 (0)44-2262 8902  
 E-mail : Sales-IN@TCIchemicals.com

### 梯希爱(上海)化成工业发展有限公司

Tel : 800-988-0390 • 021-67121386  
 Fax : 021-6712-1385  
 E-mail : Sales-CN@TCIchemicals.com

### TOKYO CHEMICAL INDUSTRY CO., LTD.

Tel : +81 (0)3-5640-8878  
 Fax : +81 (0)3-5640-8902  
 E-mail : globalbusiness@TCIchemicals.com

Availability, price or specification of the listed products are subject to change without prior notice. Reproduction forbidden without the prior written consent of Tokyo Chemical Industry Co., Ltd.